

KALEJA GmbH
D-73553 Alfdorf

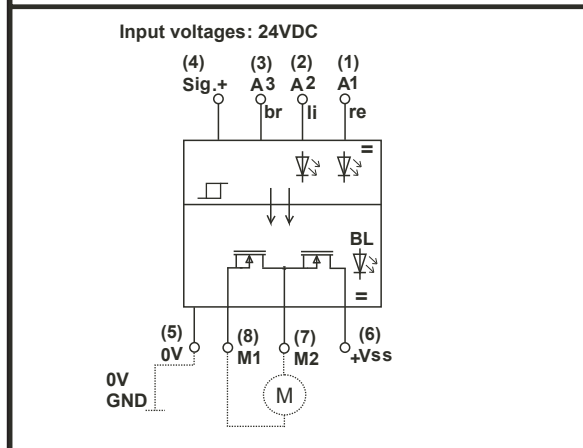
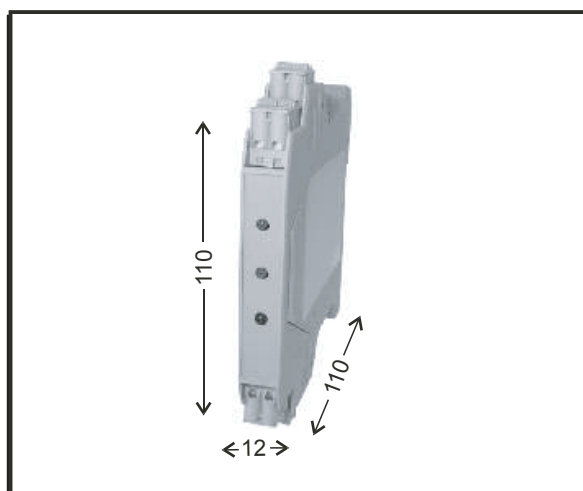
**Motorcontrol for
brush sticking
direct current motor.
Threshold voltage: 24VDC**

**Implementation for switching current
up to 6A. With change of rotation.**

Adjustable dynamic brake at input A3

To snap onto DIN - rail EN 50022

Construction width: 12mm



Short designation / type	Rated voltage: 24VDC M-MWS-6-30
Art. - No.	06.04.078
Technical data: input circuit	
Rated voltage / threshold voltage	24 VDC
Range of rated voltage min. / max.	15V to 35VDC
Input current during rated voltage	10mA
Status indicator	LED 3mm green
Technical data: output circuit	
MOS-FET	
Range of switching voltage / motor voltage	12VDC to 30VDC
Max. permanent load current	6A
Dynamic brake	yes / adjustable
Impulse current	30 A
Switching frequency	50 Hz by 6A
Output circuit	mass binded
Forward resistance at ON-state	20 mOhm
Other data	
Ambient temperature range	-20°C to + 50°C
auxiliary voltage output Sig.+	max. 100mA
Absence of vibration a/r (10...500Hz)	> 20 / 5
Overload protected/ short-circuit-proof / temperature monitoring	no / no / no
DIN VDE-determinations	VDE 0110, 0160 in parts
Position of installation / mounting	can be snapped, addable
Mode of connection: spring-type terminal	single wire 4mm ² , fine wire 2,5mm ²
Dimensions: W x D x H	12mm x 110mm x 110mm