

KALEJA GmbH  
D-73553 Alfdorf

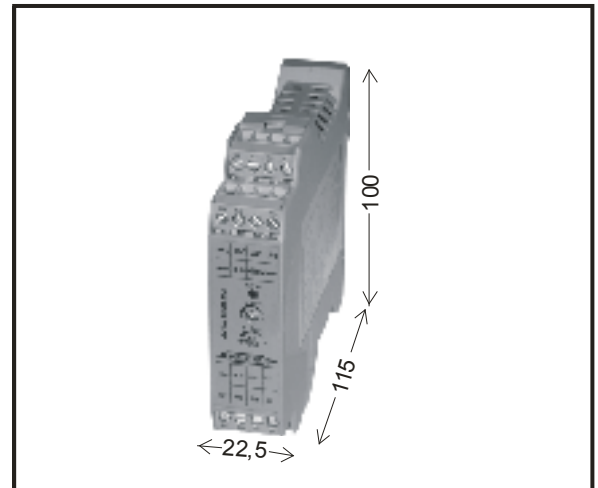
## Motor-speed control for brushless Motor 24VDC

Implementation for switching current up to 3,5A

With speed control and current control

To snap onto DIN rail EN 50022

Construction width: 22,5mm



<b>Short designation / type</b>	<b>Rated voltage: 24VDC</b> M-BL-5-30
<b>Art. - No.</b>	<b>06.04.054</b>
<b>Technical data: input circuit</b>	
Rated voltage / threshold voltage	24 VDC
Range of rated voltage min. / max.	19V bis 29VDC
Input current during rated voltage	10mA
Analogue input - range of voltage	0V bis 10VDC
Status indicator	LED 3mm
<b>Technical data: output circuit</b>	
Range of switching voltage / motor voltage	19V bis 29VDC
Max. current / Permanent load current	6A / 3,5A
Current limitation min. / max.	1A bis 6A
Speed control	0 bis max.
Current output signal 0V / high	I - max 50mA.
Power driver	MOS-FET
<b>Other data</b>	
Ambient temperature range	-20°C bis + 30°C
Absence of vibration a/r (10...500Hz)	> 20 / 5
Overload protection/short-circuit-proof / temp. Monitoring	yes / -- / yes
DIN VDE / determinations	VDE 0110, 0160 in parts
Position of installation / mounting	Can be snapped, addable
Mode of connection: screw terminal / pluggable	Single wire 4mm <sup>2</sup> , fine wire 2,5mm <sup>2</sup>
Dimensions: W x D x H	22,5mm x 100mm x 115mm

# Description

The M-BL-5-30 module is a two-quadrant motor control system for 24VDC brushless motors. It ensures switching ON/OFF and the controlled driving and braking of motors.

## Special features:

Short/circuit protection, overload protection, analog inputs 0 to 10V for motor speed control, signal output current limitation ( 50mA ), adjustable switch-on current rise, adjustable max. Speed.

## Electrical connection and contrls

