

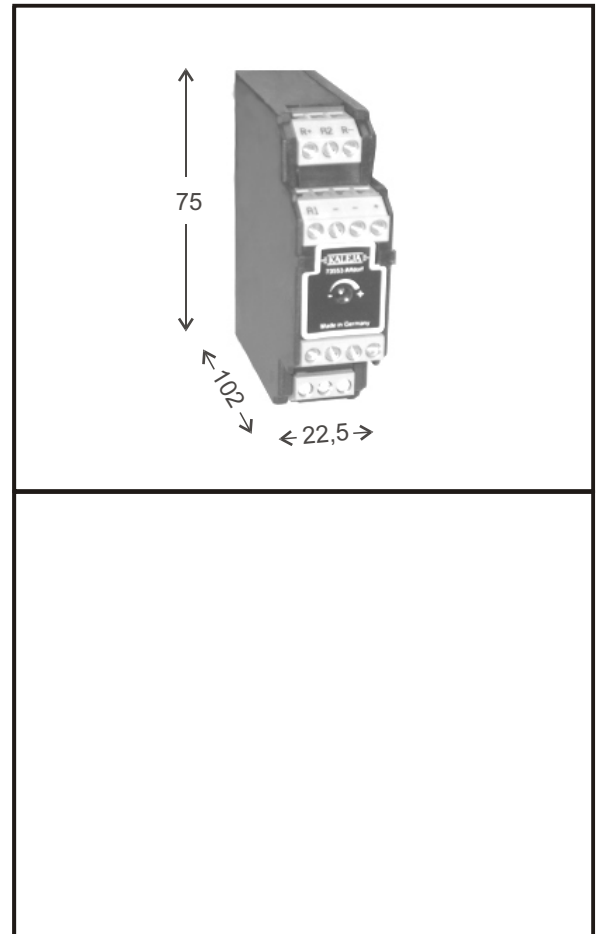
KALEJA GmbH
D-73553 Alfdorf

Motor-speed control for brush sticking direct current motor 24VDC

Implementation for switching current
up to 3,5A, with speed control,
I x R amplification.

To snap onto DIN - rail EN 50022
and EN 50035.

Construction width: 22,5mm



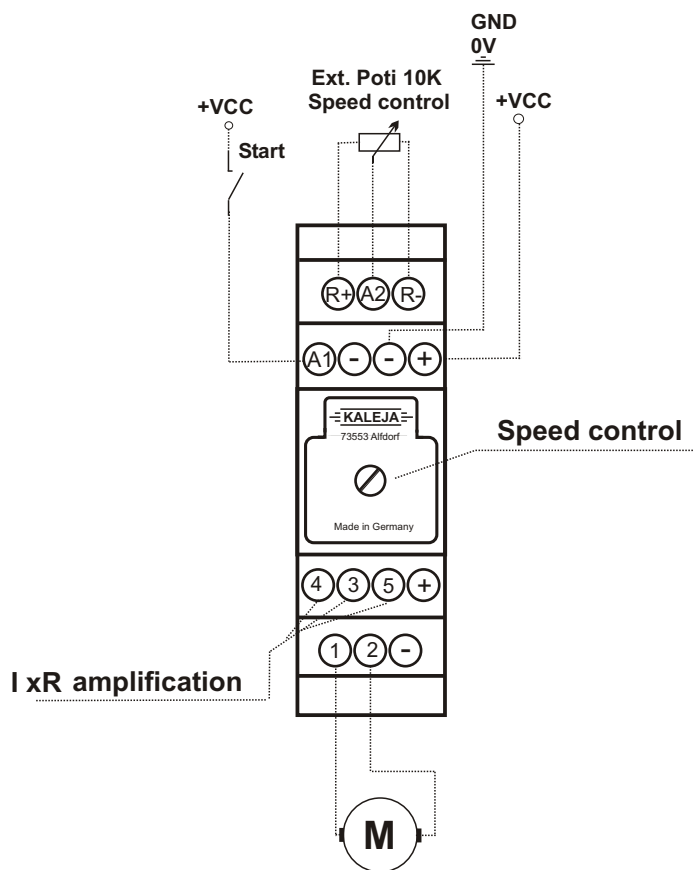
Short designation / type		Rated voltage: 24VDC Maxi-1Q-4-30
Art. - No.		06.04.048
Technical data: input circuit		
Rated voltage / threshold voltage	24 VDC	
Range of rated voltage min. / max.	18V to 35VDC	
Input current during rated voltage	10mA	
Analogue input - range of voltage	0V to 10VDC	
Technical data: output circuit		
	MOS-FET	
Range of switching voltage / motor voltage	18V to 35VDC	
Max. permanent load current	3,5A	
Short-circuit current	15A	
Speed control	0V to VCC	
I x R amplification	yes	
Power driver	MOS-FET	
Other data		
Ambient temperature range	-20°C to + 50°C	
Absence of vibration a/r (10...500Hz)	> 20 / 5	
Overload protection / short-circuit-proof / temperature monitoring	no / no / no	
DIN VDE-determinations	VDE 0110, 0160 in parts	
Position of installation / mounting	can be snapped, addable	
Mode of connection: screw terminal / pluggable	single wire 4mm ² , fine wire 2,5mm ²	
Dimensions: W x D x H	22,5mm x 75mm x 102mm	

Description

The Maxi-1Q-4-30 module is a single-quadrant motor control system for 24VDC motors. It ensures switching ON/OFF and an IxR regulation of min. - max. compensation. The basic amplification can be changed over via a bridge at the connection terminals 5 to 3 or 5 to 4..

Special features:

analog input 0 to 10V for motor speed,
adjust able IxR amplification.



Bridges	Function
No	Low amplification
5 and Kl.3	High amplification
5 and Kl.4	Maximum amplification