

KALEJA GmbH
D-73553 Alfdorf

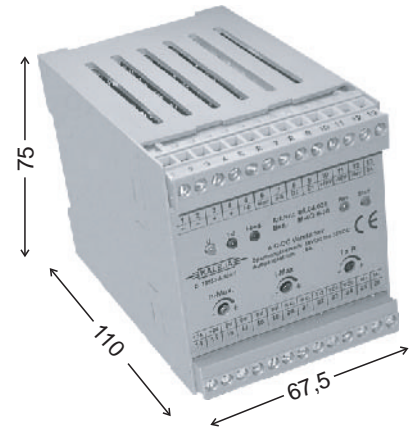
Motor-speed control for brush sticking direct current motor 24VDC

Implementation for switching current
up to 6A

With speed control, current control,
I x R compensation, change of rotation

To snap onto DIN - rail EN 50022
and EN 50035

Construction width: 67,5mm



Short designation / type	Rated voltage: 24VDC M-4Q-6-30
Art. - No.	06.04.031
Technical data: input circuit	
Rated voltage / threshold voltage	24 VDC
Range of rated voltage min. / max.	19V to 35VDC
Input current during rated voltage	10mA
Analogue input - range of voltage	0V to 10VDC
Status indicator	LED 3mm yellow
Technical data: output circuit	
MOS-FET	
Range of switching voltage / motor voltage	19V to 35VDC
Max. permanent load current	6A
Current limitation min. / max.	1A to 6A
Speed range	0 - max.
Recommended motor choke	200µH / 6A
Power driver	MOS-FET
Other data	
Ambient temperature range	-20°C to + 50°C
Absence of vibration a/r (10...500Hz)	> 20 / 5
Overload protection / short-circuit-proof / mtemperature monitoring	yes / yes / yes
DIN VDE-determinations	VDE 0110, 0160 in parts
Position of installation / mounting	can be snapped, addable
Mode of connection: screw terminal / pluggable	single wire 4mm ² , fine wire 2,5mm ²
Dimensions: W x D x H	67,5mm x 75mm x 110mm

Description

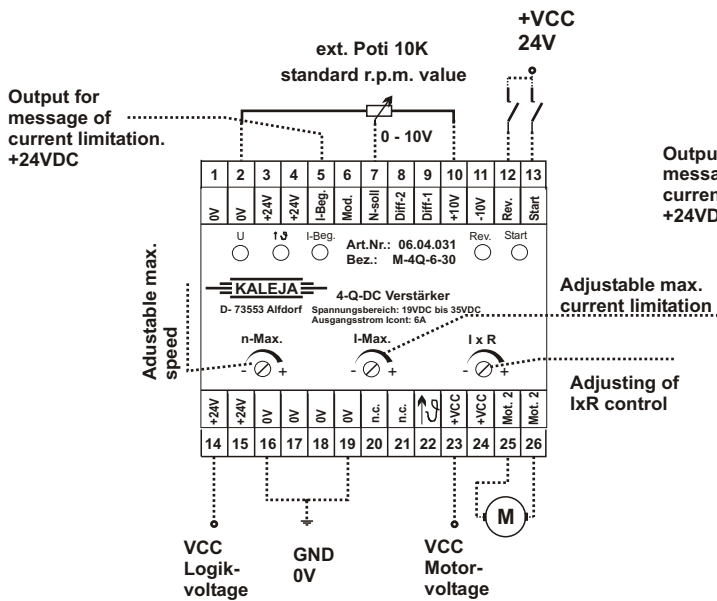
The M-4Q-6-30 module is a motor control system for 24VDC motors with clockwise / anticlockwise. It ensures switching ON / OFF and the controlled driving and braking of motors at both direction of rotation. The load is short - circuit in OFF conditions which result in dynamical braking.

Special features:

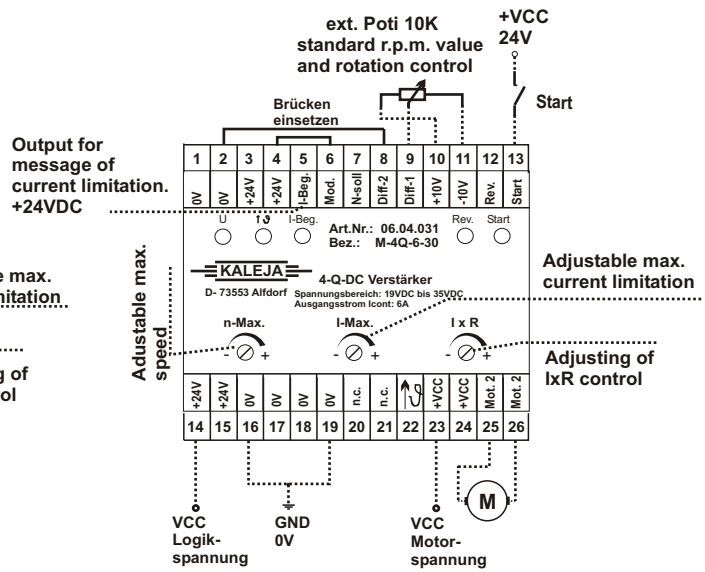
Short circuit protection, temperature protection, overload protected, at Modus-Input can be choose, whether the Input 0V to 10VDC motor speed and Rev.- Input or the Differential Input +/- 10VDC are active, adjustable max. speed, IxR compensation, direct change of rotation.

Electrical connection and controls

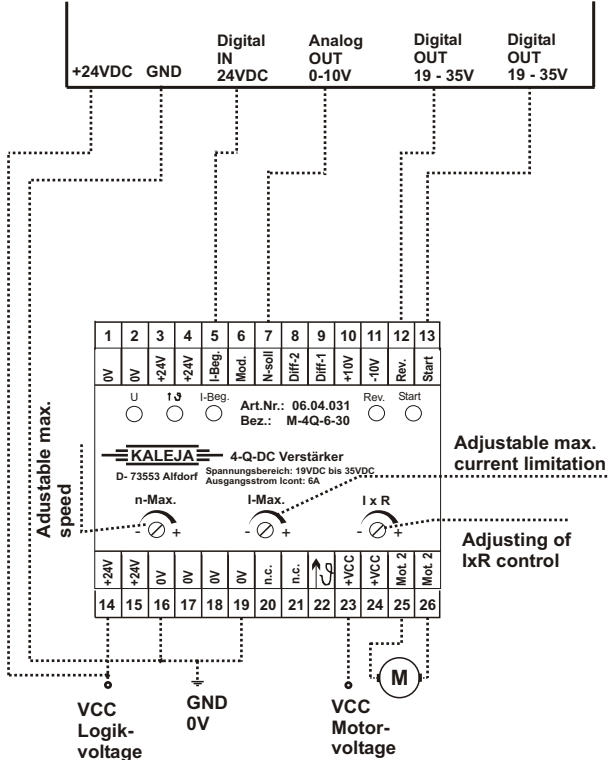
Standard - circuit elements



Differential input circuit elements



PLC circuit elements



PLC circuit elements with differential output

