

KALEJA GmbH
D-73553 Alfdorf

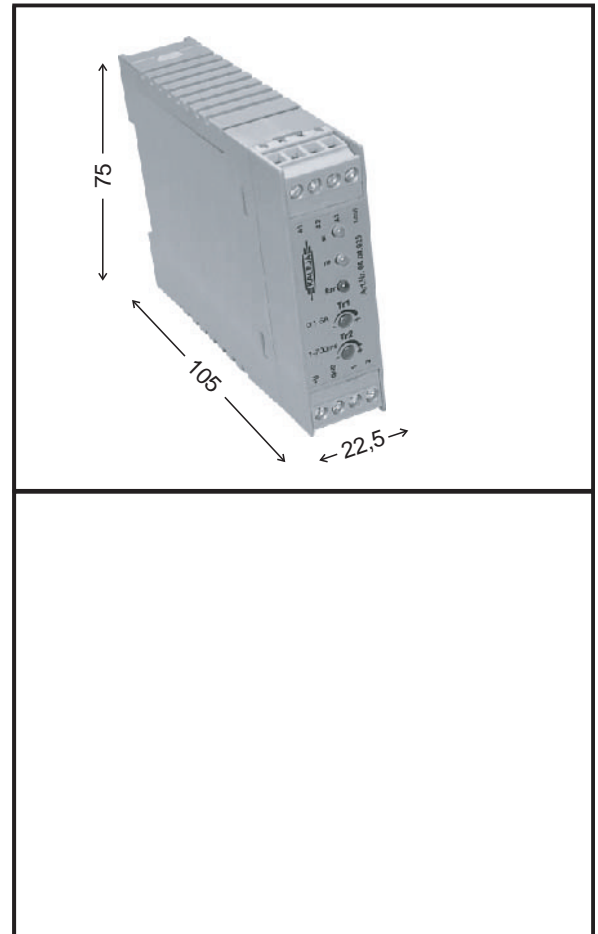
Motorcontrol for brush sticking direct current motor 24VDC

Implementation for switching current
up to 5A

With change of rotation

To snap onto DIN - rail EN 50022

Construction width: 22,5mm



Short designation / type		Rated voltage: 24VDC M-MWI-5-30
Art. - No.		06.04.025
Technical data: input circuit		
Rated voltage / threshold voltage	24 VDC	
Range of rated voltage min. / max.	15V to 35VDC	
Input current during rated voltage	10mA	
Status indicator	LED 3mm yellow	
Technical data: output circuit		
Range of switching voltage / motor voltage	19V to 35VDC	
Max. permanent load current	5A	
Impulse current	10 A	
Switching frequency	50 Hz by 5A	
Current sensing by short-circuit	95A	
Switch-off time after short-circuit	80 - 400 µs	
Other data		
Ambient temperature range	-20°C to + 50°C	
Case	plastic IP20	
Absence of vibration a/r (10...500Hz)	> 20 / 5	
Overload protection / short-circuit-proof / temperature monitoring	yes / yes / yes	
DIN VDE-determinations	VDE 0110, 0160 in parts	
Position of installation	can be snapped, addable	
Mode of connection: screw terminal	single wire 4mm ² , fine wire 2,5mm ²	
Dimensions: W x D x H	22,5mm x 75mm x 105mm	

Description

When blocking the control the motor for incorrect high current. If the motor current rise over the set Value ($Tr1$), the control switch off the motor with dynamical braking. By that at run-up of the Motor the Current Evaluation don't respond, is a temporal adjustable fade-out function ($Tr2$) of protection during that time active. Rise at operation the Motor current over the setting Value, the Motor will switch-off and stay suspended till the next RESET. The Message Output (I - OUT) will set on HIGH (+VCC) . LED red (ERR) lightning.

RESET-functions: - LOW (0V) at inputs A1 and A2.
- HIGH (+VCC) at input A3

Block diagram

